



# **12 CALIBER SEMIAUTO SHOTGUN**

**READ THE INSTRUCTIONS AND WARNINGS IN  
THIS MANUAL CAREFULLY BEFORE USING THIS  
FIREARMS**

# THANK YOU FOR CHOOSING A “INTERNATIONAL FIREARMS FACTORY” PRODUCT

## WARNINGS

**Read very carefully this instruction manual before handing this shotgun.**

The manufacturer is not responsible for damage to objects caused by misuse of the firearm or for injuries to persons or animals, or in case of death, caused voluntarily or involuntarily by the firearm user.

The manufacturer is not responsible for injuries caused by poor maintenance, misuse of the firearm, unauthorized or improper modifications.

The manufacturer declines responsibility for the indirect consequences of any injuries and/or death of persons or animals, damage to objects caused by use of the firearm or by primer explosion, by bullet's ricochet, or unsafe loading practices and/or procedure.

Read the entire manual and learn the proper use of the firearm without live ammunition.

It is important that you understand the proper use of this product. The life of the people close to you may depend on your safe behavior.

If the manual is not clear, please contact the dealer where you bought the firearm or call the distributor or the manufacturer by using the contact information provided within this manual.

The manufacturer declines any responsibility for misuse of the firearm. In case of alteration of the firearm, The manufacturer declines any civil and penal responsibility and will not refund any damage.

Quality Inspection: Every firearm is thoroughly inspected by the manufacturer, for function and cosmetic blemish, prior to shipment.

# **SAFETY RULES**

- **Read the instructions carefully before use. Reading the manual and careful examination of the firearm are fundamental to avoid any kind of problem.**
- **Be aware that you are handling a firearm; therefore your knowledge and behavior may affect your life and those of the people close to you.**
- **Firearms and ammunitions must be kept in separate places.**
- **Always keep firearm and ammunitions out of reach of children.**
- **Store the firearm in a clean, dry and airy place after use to avoid rust in mechanical parts that may cause serious problems in functioning after a period of inactivity.**
- **The firearm must always be stored unloaded, always check that the chamber is empty.**
- **Keep away from open flames or heating sources. Never leave a loaded firearm unattended. Never leave the firearm loaded, it could fall and cause injury and death. Always point the firearm in a safe direction, and handle it as though it were loaded. This is especially important when loading and unloading the firearm and when handing it to someone else. Never take someone's word that it is unloaded. Always make sure the firearm is unloaded before laying it down or handing it to someone else.**
- **After use, clean and lubricate the inside of the barrel with appropriate oil. Grease or oil build up can cause excessive pressure and result in serious personal injuries. Before using the firearm again, inspect the barrel and chamber to make certain that there are no obstructions in the bore. Remove any oil residue with rod and dry patch before shooting.**

# SAFETY RULES

- **Never rest your finger on the trigger until the very moment you wish to shoot. Always keep the safety on until you are ready to safely shoot at an intended target. Note: Safety devices on firearms are extras and are not a substitute for your proper and safe handling practices.**
- **Always keep the firearm unloaded when transporting it from home to the shooting areas. Carefully check that cartridge chamber is empty.**
- **When you walk around with the firearm in a shooting area, always keep the muzzle pointed in a safe direction.**
- **Never run with a loaded firearm, do not cross any obstacle (fences or water courses, etc.) or walk where there is any possibility of slipping or falling without having your firearm unloaded and in safety position.**
- **When selecting a place to shoot, always be absolutely sure of your target and the area behind it before you touch the trigger, making sure there is an adequate backstop which will stop and contain bullets. A bullet can travel through or past your target with a range up to 1.5 miles. If you have any doubt, do not shoot.**
- **Never shoot against a solid surface or in a pool of water, the projectiles could ricochet and shoot toward any direction. Do not shoot up into the sky.**
- **Keep all bystanders behind you, standing beside a shooter is not a safe position. Make sure all other shooters and bystanders are well away from the ejection port.**
- **Do not smoke while handling, loading or shooting any ammunition, especially black powder. Keep black powder in a closed container at all times, re-closing the container after each and every use. habits is the best way to prevent accidents.**

# SAFETY RULES

- **Never drink alcoholic beverages or take any drugs before orduring shooting, as this not only constitutes criminal disregard for your safety and that of others, but will seriously impair your judgment and vision. Never use a firearm while you are taking medication unless you have checked with your doctor to ensure you are fit to handle the firearm safely.**
- **Always wear and encourage others near you to wear proper ear protection when shooting, especially on a range since the noise from your firearm and other firearms close to you, could result in permanent hearing loss.**
- **Always wear protective shooting glasses to protect your eyes from injury by gun powder, gas, lubricant, dirt or metallic particles, carbon residue, sparks or other debris.**
- **Wash hands thoroughly after shooting and handling firearms to remove any unwanted residues.**
- **Never leave the loaded firearm or the loaded magazine in the sun.**
- **By replica firearms there is no modern safety. In this case you must pay even more attention to safety rules.**

**REMEMBER : No mechanical safety device is infallible. The user is responsible for injuries or damages caused to him or to other persons. Complete knowledge of your firearm can make the difference.**

## **IDENTIFYING MARKINGS**

**Every firearm produced in our factory has a serial number that is marked on the receiver/frame . In addition to the serial number you will also find the manufacturers information with the model name and caliber marked either on the frame or the barrel as required by law.**

**WARNING : These markings must not be removed from the firearm for any reason.**

# LOADING

- **1- First, point the shotgun in a safe direction. Remember, a safe direction means that the gun is pointed so that even if it were to go o , it would not cause injury, damage, or death. Always perform a safety check to make sure that the chamber is empty.**
- **When the magazine is empty, the bolt catch lever holds the bolt open at the rear. Press the magazine release to remove the empty magazine and insert a loaded magazine. Remember to only use ammunition that is recommended by the manufacturer**
- **Push down the bolt catch lever with the thumb of the shooting hand and this will allow the bolt to move forward and chamber a round.v**

**THE SHOTGUN IS NOW LOADED AND READY TO FIRE!  
IMPORTANT WARNING: ALWAYS UNLOAD YOUR FIREARM  
IMMEDIATELY AFTER SHOOTING.**

# UNLOADING

- **1-) Point the shotgun in a safe direction. Remember, a safe direction means that the gun is pointed so that even if it were to go o , it would not cause injury, damage, or death.**
- **Keep your fingers o the trigger and remove the magazine**
- **Pull back the charging handle one or more times to insure the chamber is empty. Watch for a live round or empty case to be ejected. Pull the charging handle fully rearward and lock the bolt with the bolt catch lever.**
- **Make sure the last round in the chamber has been extracted and ejected. Visually and physically check the chamber and the magazine well to make sure the shotgun has been fully unloaded. Perform a safety check by physically inserting your index finger in the chamber to feel for the presence of a round or cartridge case in the chamber.**

# DISASSEMBLY

THIS MANUFACTURED FIREARM WAS DESIGNED TO PERFORM WITH ITS ORIGINAL PARTS. IT IS YOUR RESPONSIBILITY TO MAKE SURE THAT ANY PARTS YOU BUY ARE AUTHENTIC AND CORRECTLY INSTALLED AND THAT THE PARTS HAVE NOT BEEN ALTERED OR CHANGED. IT IS IMPERATIVE THAT ONLY FACTORY PARTS BE USED AS REPLACEMENTS TO ASSURE THAT THE FIREARM REMAINS FUNCTIONALLY SAFE AND OPERATES ACCURATELY. THE GUN OWNER ACCEPTS FULL RESPONSIBILITY FOR THE CORRECT REASSEMBLY AND FUNCTIONING OF THE FIREARM AFTER ANY DISASSEMBLY OR REPLACEMENT OF PARTS



**1) Unscrew the fore-end cap**



**2) Slide The fore-end off the magazine tube**



# DISASSEMBLY



**3) Move back the mechanism and ensure that cocking lever comes to the middle of the mechanism bearing; then, pull out and remove the cocking lever. During this operation, hold the cocking-bar so that the spring doesn't push it forward**



**4) Take out the trigger group anchor pin.**

# DISASSEMBLY



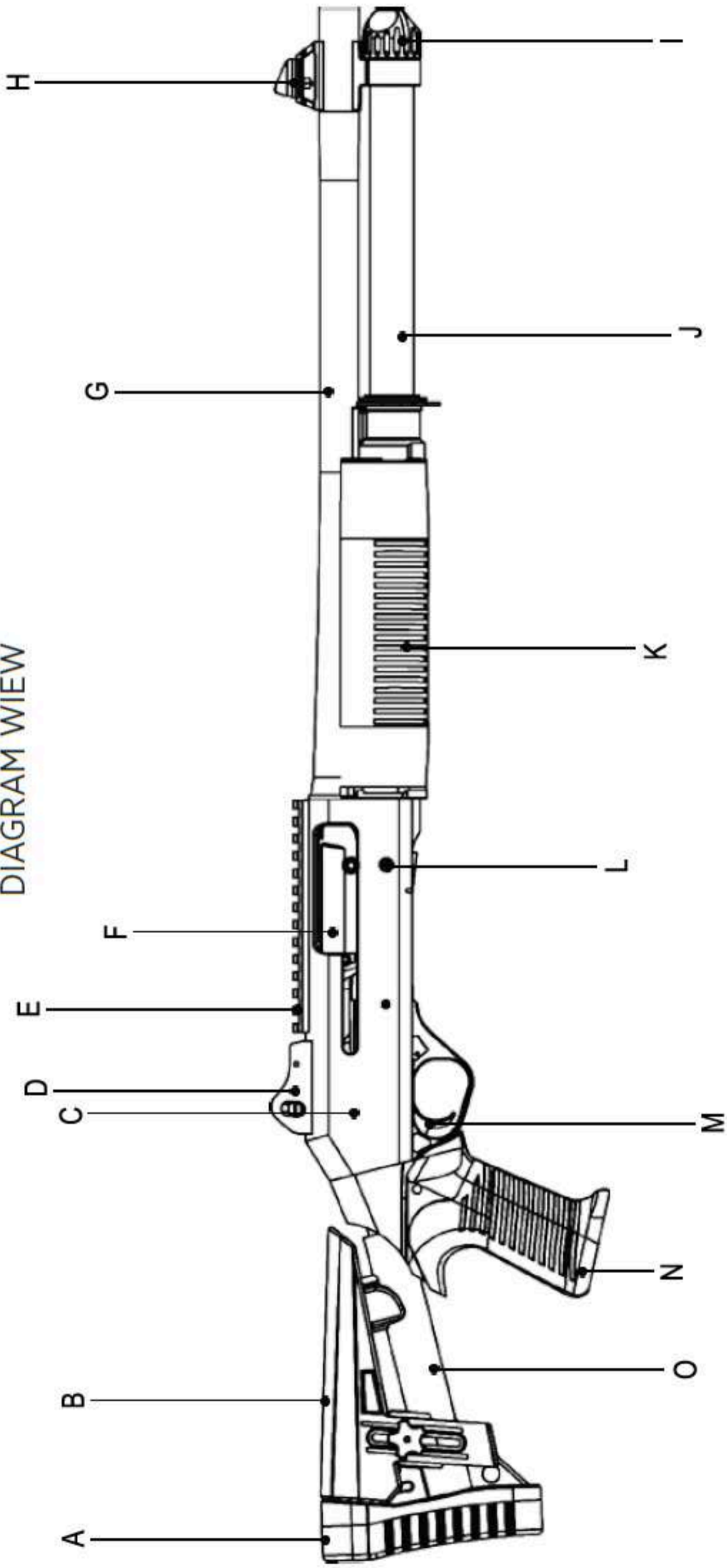
**5) Pull the trigger group and detach from the receiver**



**6) After you remove the Trigger Group, the bolt assembly and action bar sleeve can be removed from the shotgun**

# EXPLODED VIEW

DIAGRAM WIEW



- A-)Recoil Pad
- B-)Stock Cover
- C-)Receiver
- D-)Rear Sight Base
- E-)Accessory Mounting Rail
- F-)Bolt

- G-)Barrel
- H-)Front Sight
- I-) Forend Cap
- J-) Magazine Tube
- K-)Forend
- L-) Release

- M-)Trigger
- N-)Grip
- O-)Recoil Spring Tube

## PART LIST

- 
- |                              |                                |                                   |
|------------------------------|--------------------------------|-----------------------------------|
| 1 - Gas Plug                 | 15 - Firing Pin Spring         | 29 - Disconnecter Spring          |
| 2 - Gas Piston               | 16 - Bolt Handle               | 30 - Hammer Spring                |
| 3 - Forend Cap               | 17 - Firing Pin Retaining Pin  | 31 - Hammer Spring Cap            |
| 4 - Barrel                   | 18 - Trigger Guard Pin         | 32 - Trigger                      |
| 5 - Sling Plate Retainer     | 19 - Magazine Spring Seal Ring | 33 - Safety Plunger Retaining Pin |
| 6 - Sling Attachment Plate   | 20 - Magazine Spring           | 34 - Safety Plunger Spring        |
| 7 - Forend                   | 21 - Shell Stop                | 35 - Magazine Tube                |
| 8 - Bolt Head Assembly       | 22 - Carrier                   | 36 - Trigger Group                |
| 9 - Firing Pin               | 23 - Carrier Spring Plunger    | 37 - Safety Button                |
| 10 - Locking Head Pin        | 24 - Carrier Spring            | 38 - Safety Plunger               |
| 11 - Bolt                    | 25 - Hammer                    | 39 - Carrier Drop Lever           |
| 12 - Accessory Mounting Rail | 26 - Disconnecter Pin          | 40 - Shell Release Lever Spring   |
| 13 - Buttstock               | 27 - Disconnecter              | 41 - Trigger Guard Pin Ring       |
| 14 - Recoil Pad              | 28 - Disconnecter Plunger      | 42 - Trigger Pin Bushing          |
-

# REASSEMBLY

1. Do the reverse procedure of disassembling the firearm.

## CLEANING & MAINTENANCE

**WARNING:** Make sure the firearm is unloaded.

1. Make sure the broad, polished finely fitting mating surface of the breech block and receiver is especially clean and lightly oiled with high quality gun oil. Do not use silicone, lanolin or WD-40.

2. Run an oil patch through the bore with a cleaning rod starting from the breech end. To prevent leading, use a cleaning solvent and brass brush to clean the bore periodically. Follow this cleaning with one or two clean oil patches.

**IMPORTANT:** If your gun is equipped with choke tubes, do not use a brass brush to clean the barrels without having a choke tube installed.

Barrels that utilize choke tubes must also have the choke tubes removed to clean and oil the threads inside the barrel and the choke tubes themselves. This will protect the threads and prevent dirt build up that can cause tubes to become difficult to remove.

Never fire your gun without choke tubes completely tightened in barrels. Do not over tighten choke tubes. Wipe all exposed metal surfaces with an oiled cloth before storing. Do not squirt or pour oil into the mechanism because it may hamper proper functioning and will soak into the wood.

After extended periods of heavy use, your gun should be taken to a qualified gunsmith to have the action disassembled for professional cleaning and lubrication.

3. Care for your wood stock and forearm the same way you would a piece of furniture with the same finish.

# STORAGE

- 1. Clean thoroughly and oil your firearm before storage.**
- 2. Store the firearm in a case to prevent scratches and dents.**
- 3. Store your firearm in a dry place to prevent corrosion.**
- 4. Store the firearm away from children and in a place where it cannot be obtained by those unauthorized to use it.**
- 5. Always store firearm unloaded and separately from and ammunition.**



INTERNATIONAL  
FIREARMS FACTORY

**International Firearms Factory**

**Üzümlü Mh. 44829.Sk. No:5/A Beyşehir - Konya /  
TURKEY**

**WEB : <https://internationalfirearmsfactory.com/>**

**E-MAIL : [export@internationalfirearmsfactory.com](mailto:export@internationalfirearmsfactory.com)**